
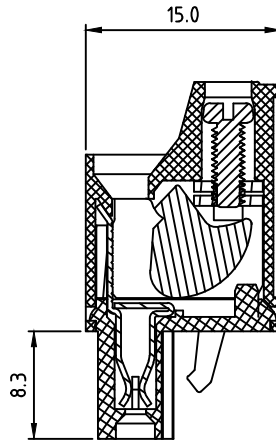
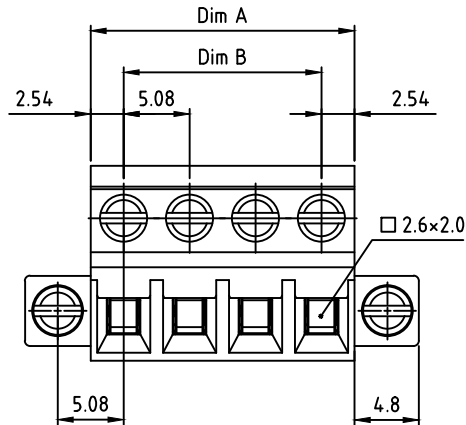
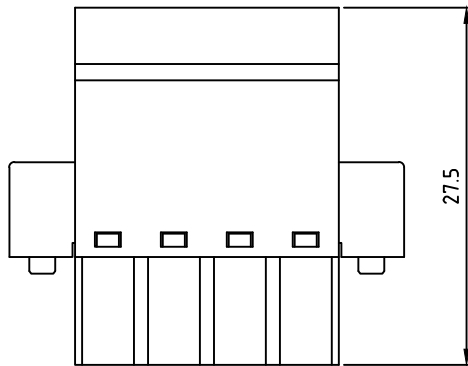


# SPECIFICATIONS

- Voltage Rating: 300VAC/300VAC
- Current Rating: 20 Amps/20 Amps
- Dielectric withstanding: 1.6KV/2.5KV
- Operating Temperature: -40°C to +115°C
- Contact Material: PhBz, Tin Plated
- Terminal Screw: Steel Zinc plating "-" slot type
- Insulator Material: Thermoplastic, UL 94V-0
- Wire Range: 0.34-2.5mm<sup>2</sup>
- Wire Strip Length: 6-7mm
- Solid/Stranded Wire: 12-22 AWG
- Torque: 3.5Lb-In/0.4Nm
- Clamp: Steel Zinc plated
- Screw: M2.5
- Flange Screw: Steel M2.5 Zinc plating "+/-" slot type
- Safety Approval: 



N=Number of contacts

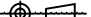


## RPEN-XXEEXB-FG

- NO. OF POLES
  - 2 POLES
  - 3 POLES
  - ...
  - 24 POLES
- Color
  - J: Black(RAL9005)
  - B: Red(RAL3001/D)
  - C: Orange(RAL2011/P)
  - D: Yellow(RAL1018/A)
  - E: Green(RAL6018/T)
  - F: Blue(RAL5015/A)
  - H: Grey(RAL7035/D)
- FG: RoHS Compliant  
Pb<40000ppm

APTOS Technology CONFIDENTIAL  
This document, and all information it contains, are the confidential, proprietary property of APTOS Technology. Disclosure, duplication or distribution of this document, or any information it contains, in whole or part, without prior written permission from APTOS Technology is strictly prohibited

Poles		02	03	04	05	06	07	08	09	10	11	12	
Dim A		10.66	15.74	20.82	25.90	30.98	36.06	41.14	46.22	51.30	56.38	61.46	
Dim B		5.08	10.16	15.24	20.32	25.40	30.48	35.56	40.64	45.72	50.80	55.88	
Tolerance		±0.20						±0.25					
Poles		13	14	15	16	17	18	19	20	21	22	23	24
Dim A		66.54	71.62	76.70	81.78	86.86	91.94	97.02	102.10	107.18	112.26	117.34	122.42
Dim B		60.96	66.04	71.12	76.20	81.28	86.36	91.44	96.52	101.60	106.68	111.76	116.84
Tolerance		±0.30						±0.40					

GENERAL TOLERANCE UNLESS OTHERWISE SPECIFIED	
XXX. ± X	.XX ± 0.10
XX. ± X	.XXX ± X
X. ± 0.50	X' ± 1'
.X ± 0.30	.X' ± 1'
REV. A	DRAWN
DATE 09/02/09	CHECKED
SCALE As shown	APPROVED
UNIT mm	

**APTOS TECHNOLOGY**

RPEN Series  
5.08 mm Plug - w/Flange

PRODUCT NO. RPEN-XXEEXB-FG

FILE NAME RPEN-XXEEXB-FG LF APD.DWG

SIZE A4